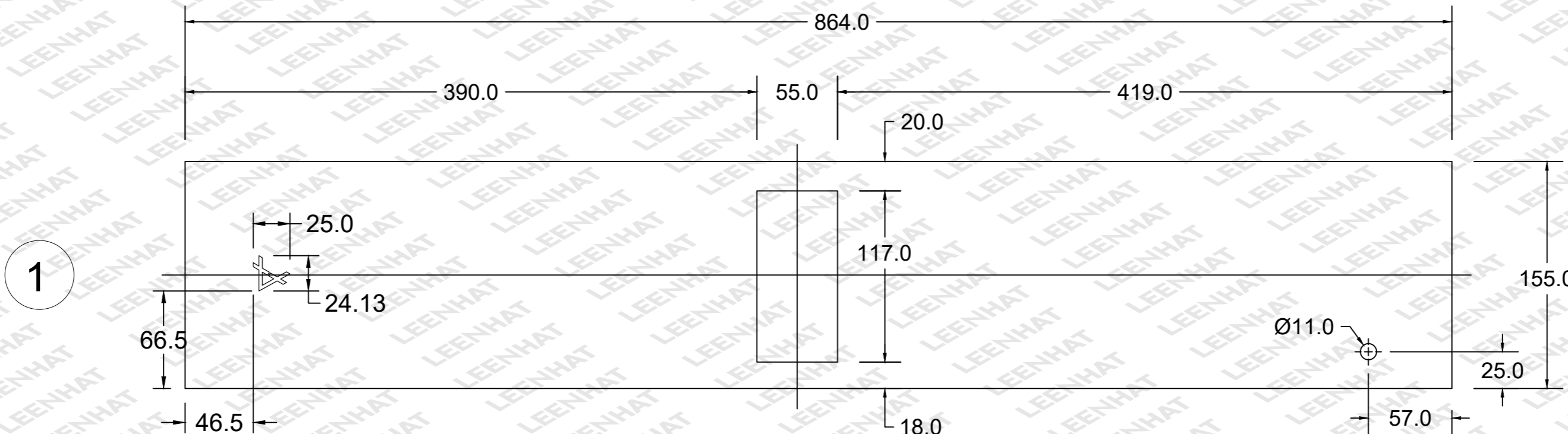


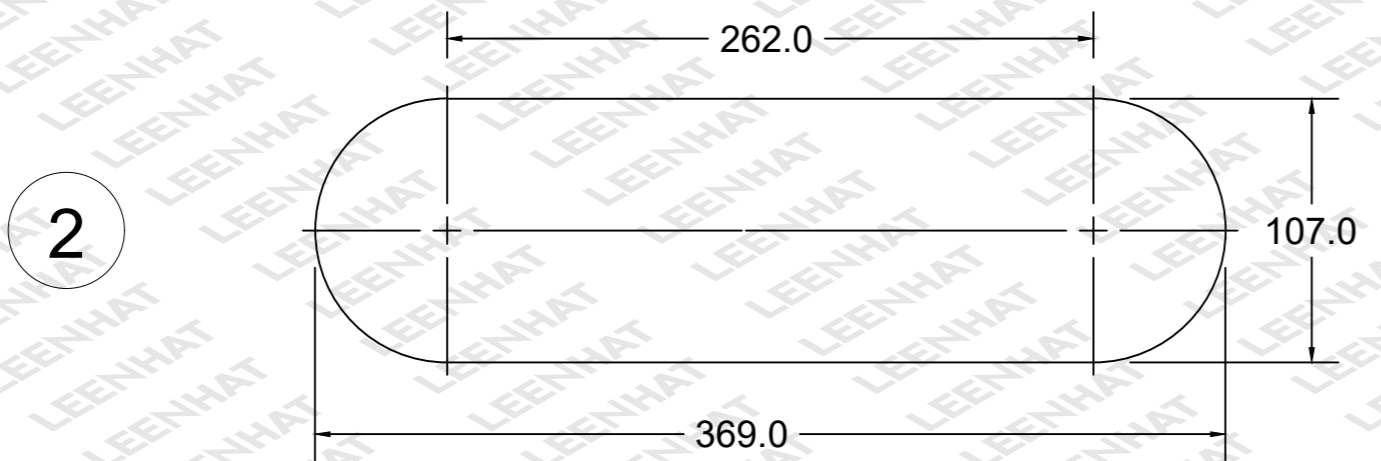
ISOMETRIC (X-RAY VIEW)

Rev	Date	Description	Drawn	Checked	Approved
D					
C					
B					
A	04/03/2021	Issued for review.	S.P	JAC	JAC

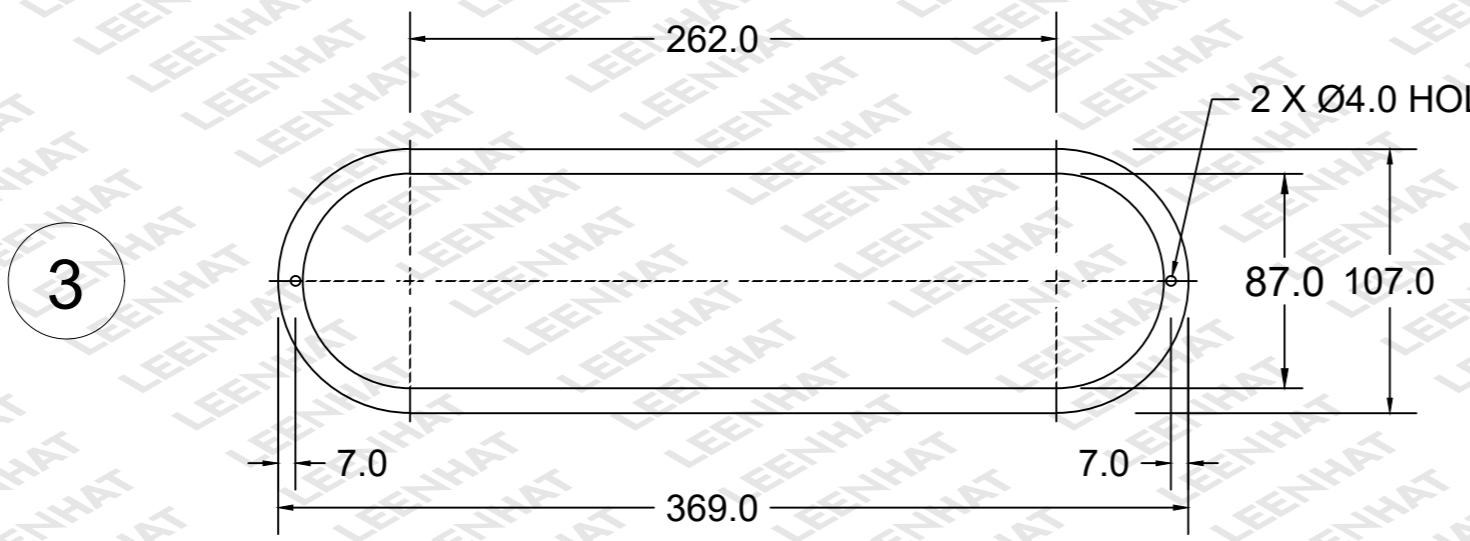
	UNLESS OTHERWISE NOTED: ALL DIMENSIONS ARE IN MILLIMETERS (mm). TOLERANCES: LINEAR: ± 0.00 ANGULAR: 0.00° ± BEND: 0.00° ±	Drawing Title		Client
		Drawing Number ;		Sheet 1 of 1
Material	As Stated	Drawn by : SUKAMAL PATRA		Checked by
Finish	N/A	Process N/A		Designed By ;
Paper size : A2				JACQSIM
				WWW.LEENHAT.COM



M: 304 HAIRLINE STAINLESS STEEL, 1.2mm

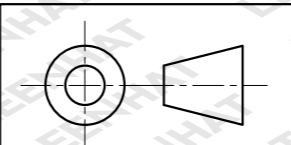


M: 304 HAIRLINE STAINLESS STEEL, 1.2mm



M: 304 HAIRLINE STAINLESS STEEL, 1.2mm

Rev	Date	Description	Drawn	Checked	Approved
D					
C					
B					
A	04/03/2021	Issued for review.	S.P	JAC	JAC



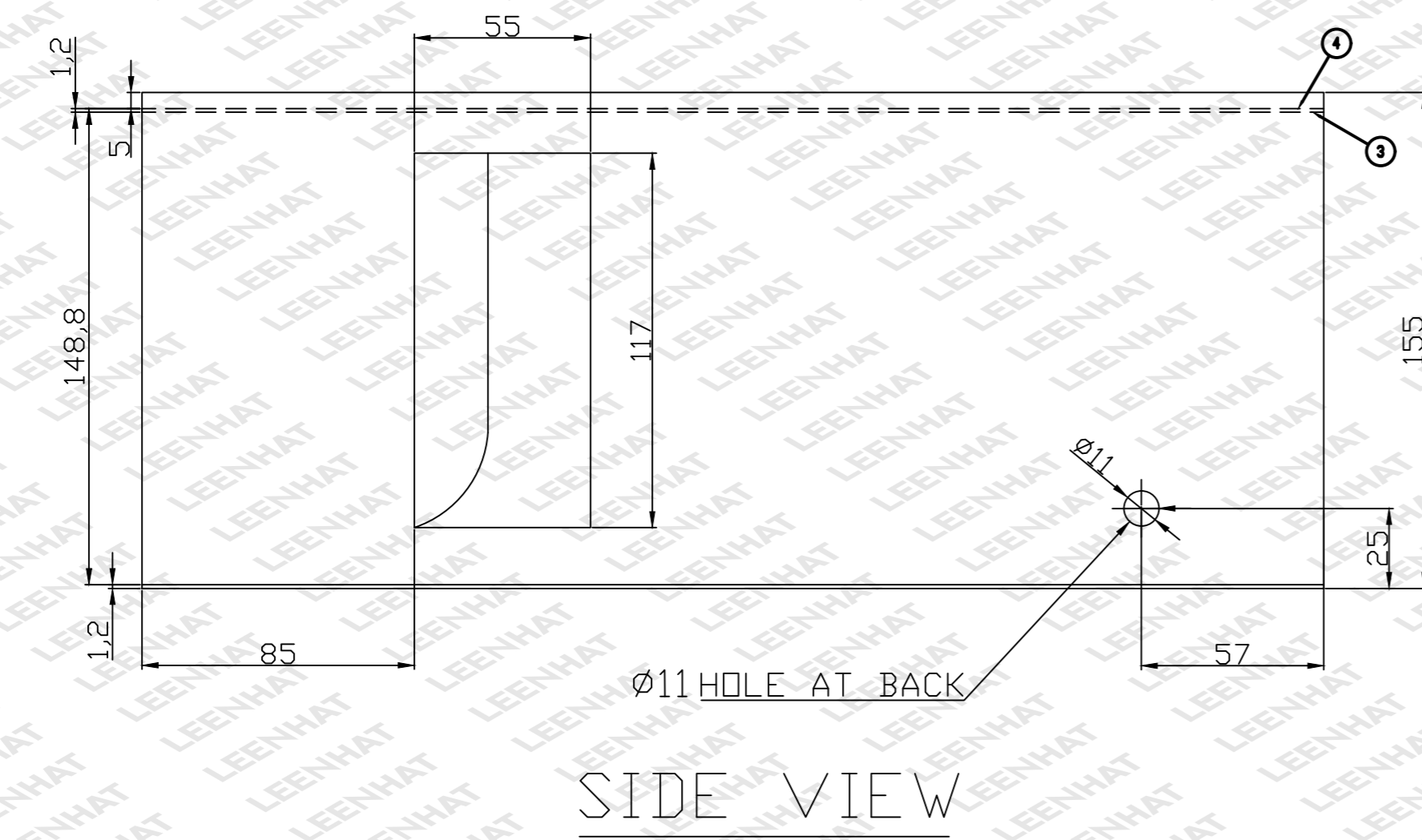
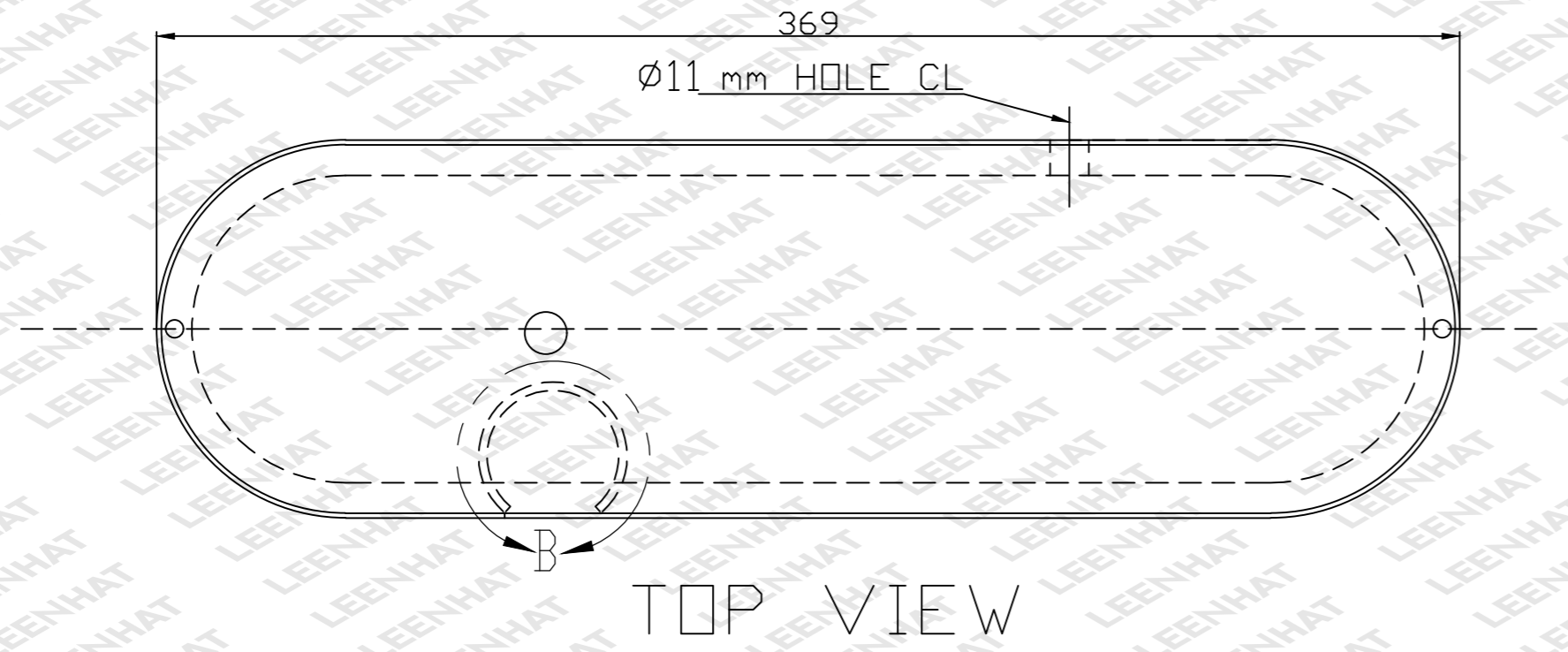
Material As Stated
Finish N/A
Page Size : A2

UNLESS OTHERWISE NOTED:
ALL DIMENSIONS ARE IN MILLIMETERS (mm).
TOLERANCES:
LINEAR: ± 0.00
ANGULAR: ± 0.00°
BEND: ± 0.00

Drawing Title
Updated Spiral staircase (overall for welding)_Delivery
Drawing Number ;
Sheet 1 of 1
Drawn by : SUKAMAL PATRA
Checked by

Client
JACQSIM
Project
Updated Spiral staircase (overall for welding)_Delivery

Designed By ;
LEENHAT
WWW.LEENHATE.COM



Rev	Date	Description	Drawn	Checked	Approved
D					
C					
B					
A	06/03/2021	Issued for review.	S.P	JAC	JAC

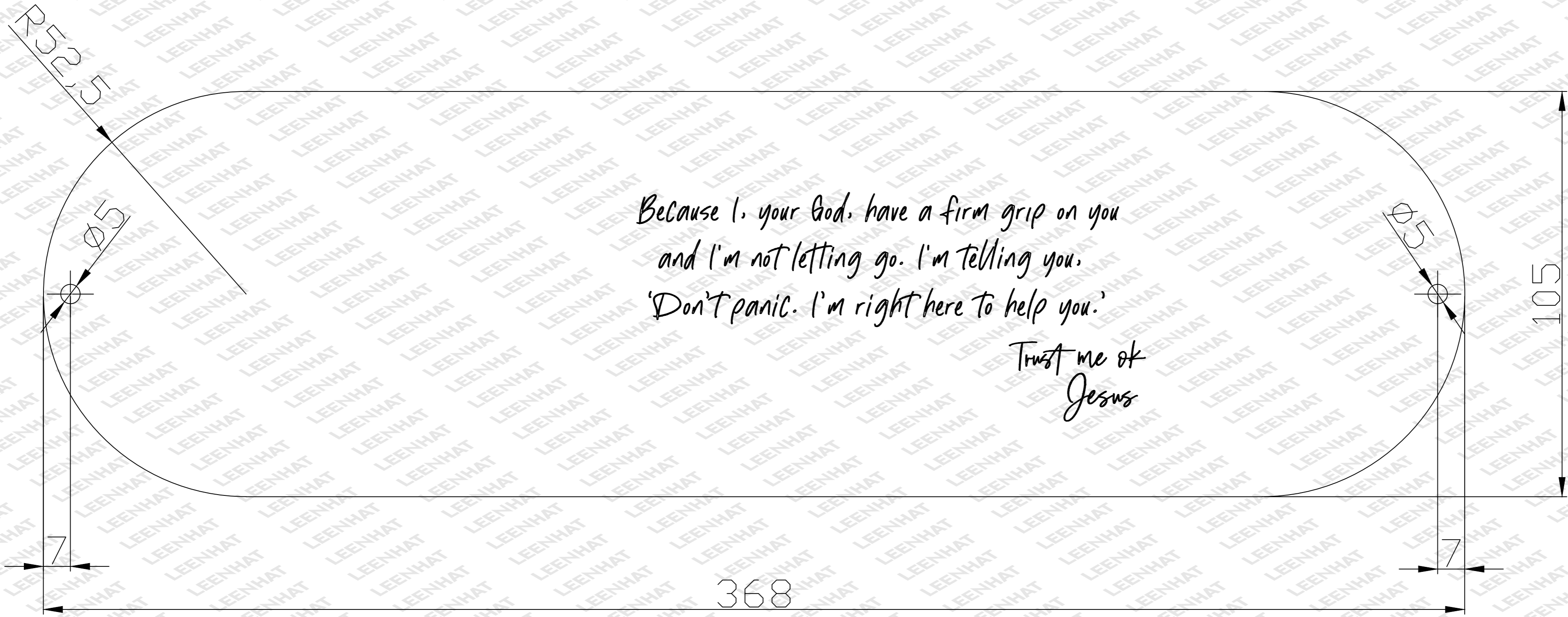
Material	As Stated
Finish	N/A
Page Size :	A2

UNLESS OTHERWISE NOTED:
 ALL DIMENSIONS ARE IN MILLIMETERS (mm).
 TOLERANCES:
 LINEAR: ± 0.00
 ANGULAR: $\pm 0.00^\circ$
 BEND: ± 0.00

Drawing Title	3 dwg files(1)_dwg	
Drawing Number ;	Sheet	1 of 1
Drawn by :	SUKAMAL PATRA	
Checked by		

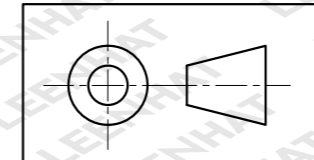
Client	
Project	3 dwg files(1)_dwg

Designed By ;
LEENHAT
 WWW.LEENHATE.COM



*Because I, your God, have a firm grip on you
and I'm not letting go. I'm telling you.
'Don't panic. I'm right here to help you.'
Trust me ok
Jesus*

Rev	Date	Description	Drawn	Checked	Approved
D					
C					
B					
A	07/03/2021	Issued for review.	S.P	JAC	JAC



Material	As Stated
Finish	N/A
Page Size :	A2

UNLESS OTHERWISE NOTED:
ALL DIMENSIONS ARE IN MILLIMETERS (mm).
TOLERANCES:
LINEAR: ± 0.00
ANGULAR: ± 0.00°
BEND: ± 0.00

Drawing Title		Client	
pic B.dwg			
Drawing Number ;	Sheet 1 of 1	Project	
Drawn by : SUKAMAL PATRA	Checked by	pic B.dwg	

Designed By ;	
LEENHAT	
WWW.LEENHATE.COM	