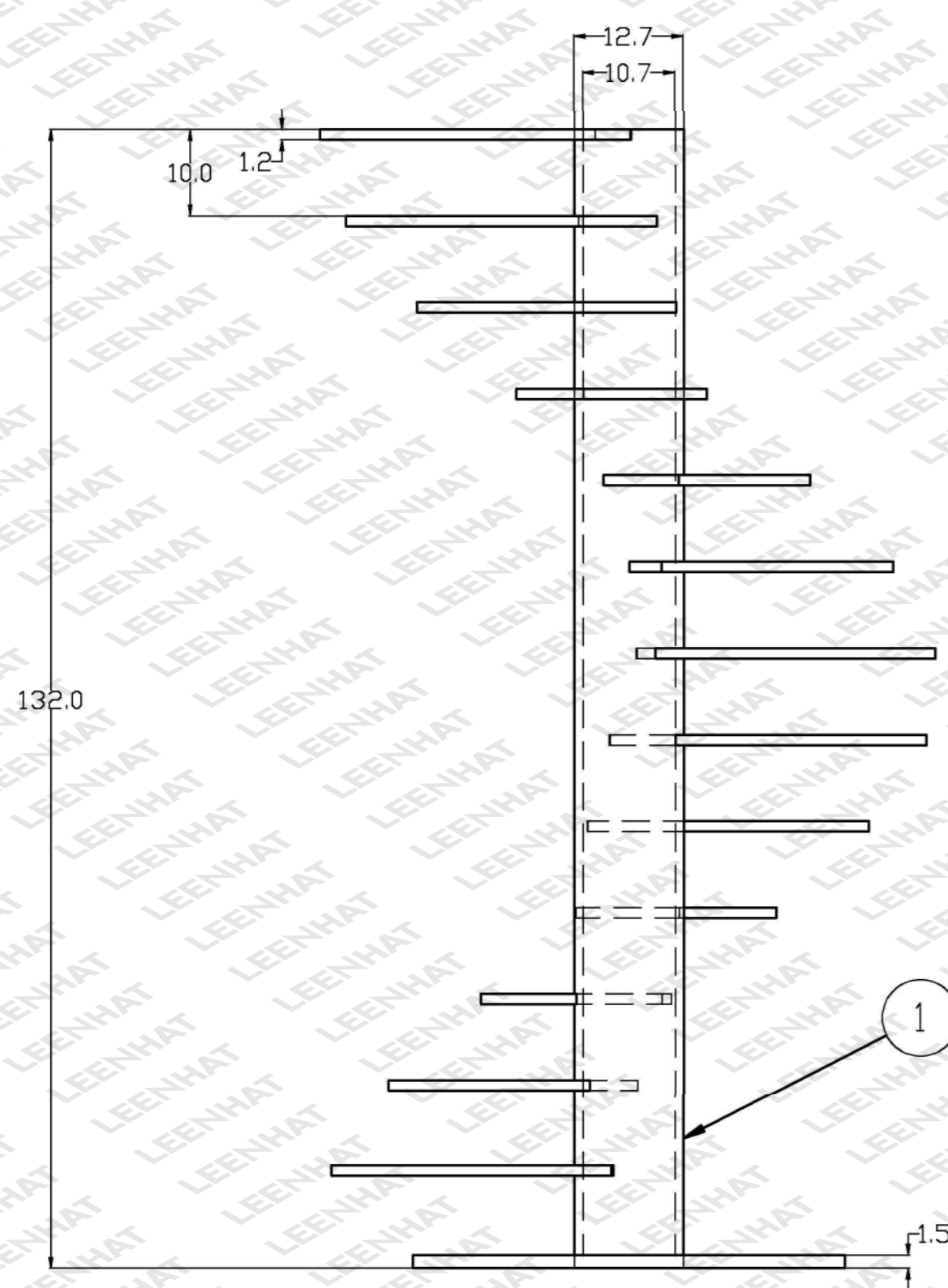
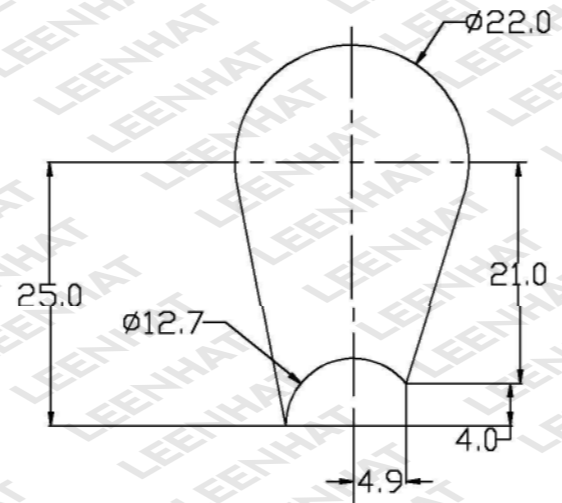


ITEM NO	PART NUMBER	QTY
1	SPIRAL STAIRCASE - BASE	1
2	SPIRAL STAIRCASE - PETAL	13

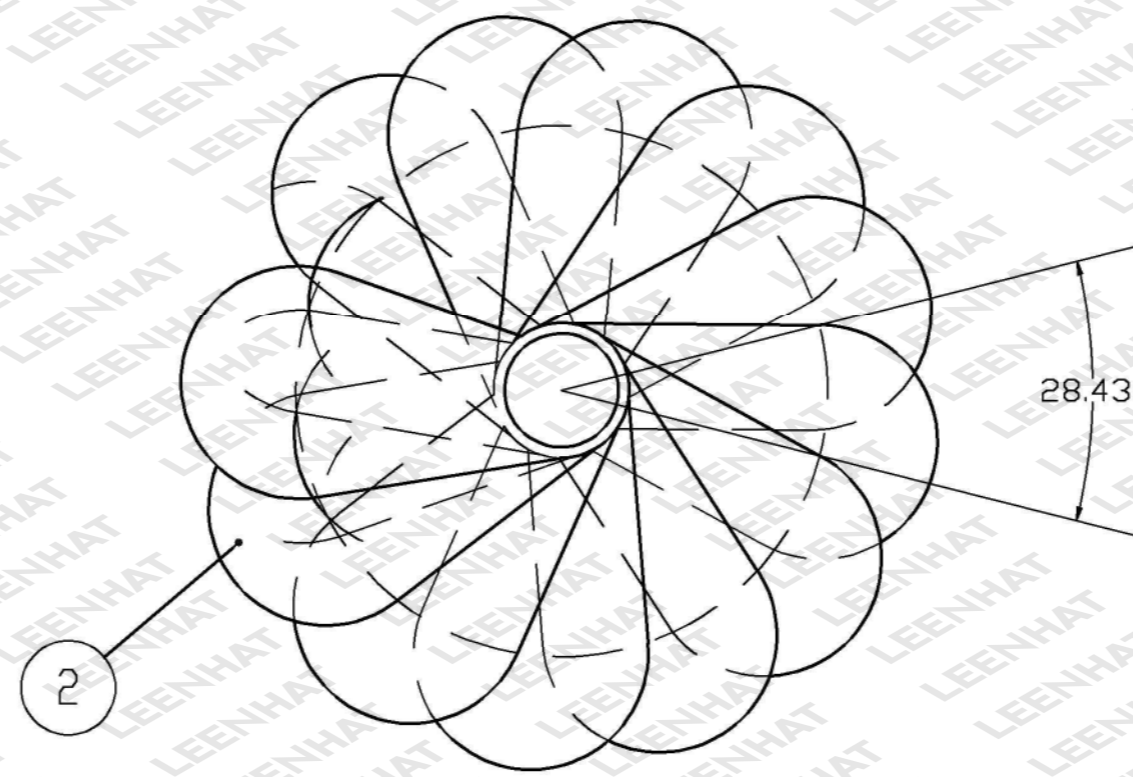


FRONT VIEW

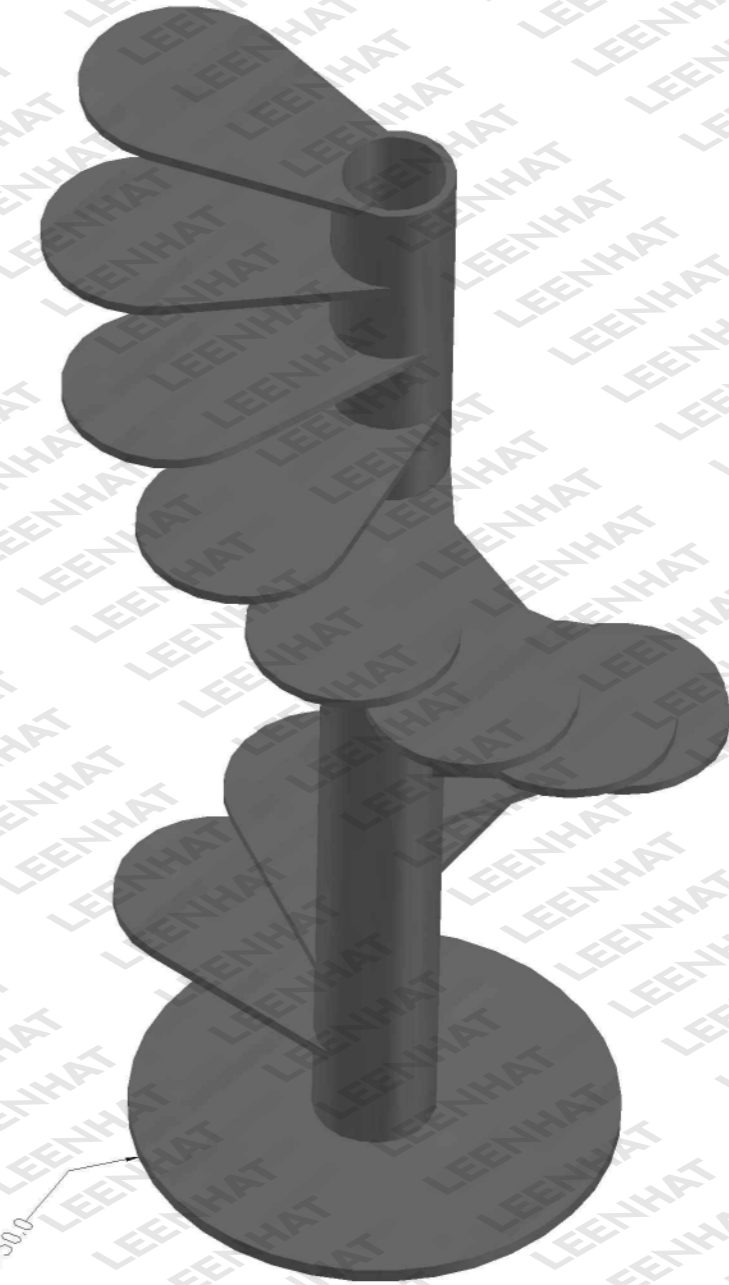


DETAIL A PETAL

M: STAINLESS STEEL 2B, 1.2mm

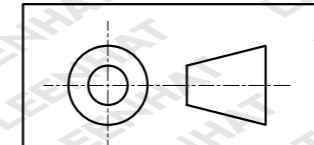


TOP VIEW



ISOMETRIC VIEW

Rev	Date	Description	Drawn	Checked	Approved
D					
C					
B					
A	04/03/2021	Issued for review.	S.P	JAC	JAC



Material As Stated
Finish N/A
Page Size : A2

UNLESS OTHERWISE NOTED:
ALL DIMENSIONS ARE IN MILLIMETERS (mm).
TOLERANCES:
LINEAR: ± 0.00
ANGULAR: ± 0.00°
BEND: ± 0.00

Drawing Title :
SPIRAL STAIR ASSEMBLY
Drawing Number ;
Sheet 1 of 1
Drawn by :
SUKAMAL PATRA
Checked by

Client :
JACQSIM
File Name :
SPIRAL STAIRCASE_STAND ALONE

Designed By ;
LEENHAT
WWW.LEENHAT.COM