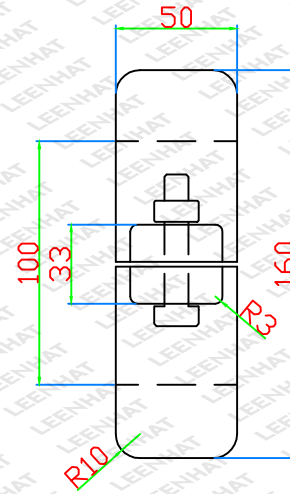
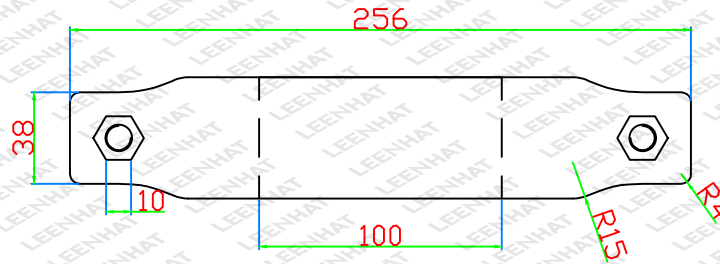


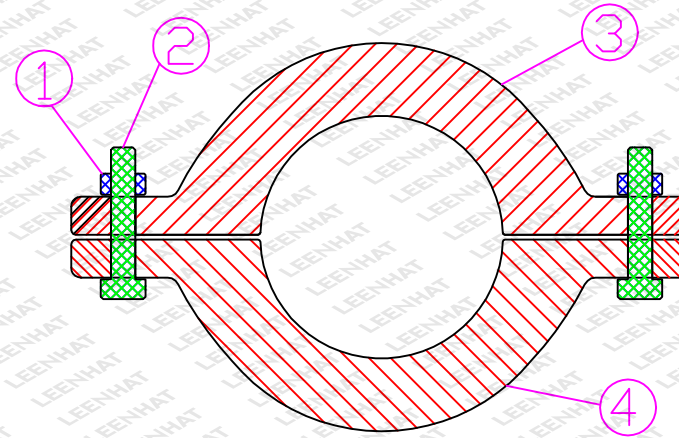
FRONT VIEW



SIDE VIEW



TOP VIEW



FRONT SECTION VIEW

DRAWING NOTE :

ALL DISPENSATION ARE IN mm

BILL OF MATERIALS :

NO.	PARTS NAME	MATERIAL	QTY
4	BOTTOM JAW		1
3	TOP JAW		1
2	BOLT		2
1	NUT		2

CLIENT :

PROJECT TITLE :

PIPE CLAMP

SHEET TITLE :

PIPE CLAMP

DESIGNED BY :

LEENHAT

SCALE

DRAWN BY :

SUKAMAL PATRA

DATE

/ /

CHECKED BY :

SHEET SIZE

A4

PROJECT NO

PARTS NO

REV

1

02

00