

**DRAWING NOTE :**

ALL DIMENSIONS ARE IN MILLIMETER (mm).

**BILL OF MATERIALS :**

NO.	PARTS NAME	MATERIAL	QTY
1	LAMP STAND	STAINLESS STEEL	1

CLIENT :

PROJECT TITLE :

JACQSIM

SHEET TITLE :

LAMP STAND

DESIGNED BY :

**LEENHAT**

SCALE

DRAWN BY :

SUKAMAL PATRA

DATE

01/03/2021

CHECKED BY :

SHEET SIZE

A4

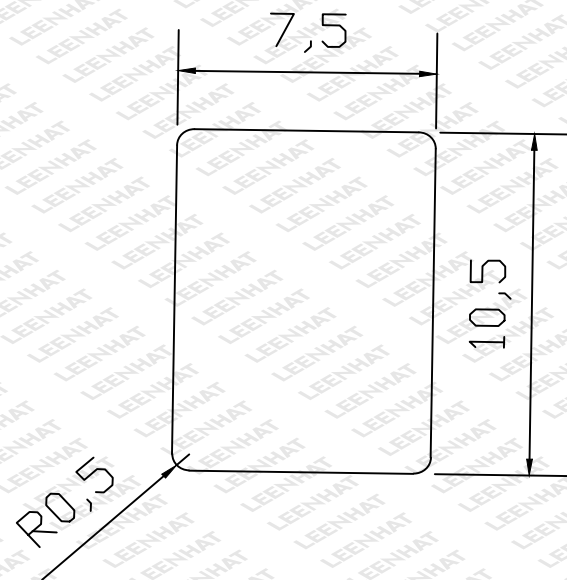
PROJECT NO

PAGE NO

REV

1

01



**DRAWING NOTE :**

ALL DIMENSIONS ARE IN MILLIMETER (mm).

**BILL OF MATERIALS :**

NO.	PARTS NAME	MATERIAL	QTY
1	STOPPER	STAINLESS STEEL	1

CLIENT :

PROJECT TITLE :

JACQSIM

SHEET TITLE :

STOPPER

DESIGNED BY :

**LEENHAT**

SCALE

DRAWN BY :

SUKAMAL PATRA

DATE

01/03/2021

CHECKED BY :

SHEET SIZE

A4

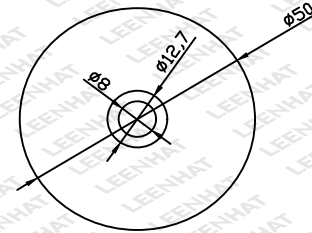
PROJECT NO

PAGE NO

REV

1

02



**DRAWING NOTE :**

ALL DIMENSIONS ARE IN MILLIMETER (mm).

**BILL OF MATERIALS :**

NO.	PARTS NAME	MATERIAL	QTY
1	STAND	STAINLESS STEEL	1

CLIENT :

JACQSIM

PROJECT TITLE :

SHEET TITLE :

STAND

DESIGNED BY :

**LEENHAT**

SCALE

DRAWN BY :

SUKAMAL PATRA

DATE

01/03/2021

CHECKED BY :

SHEET SIZE

A4

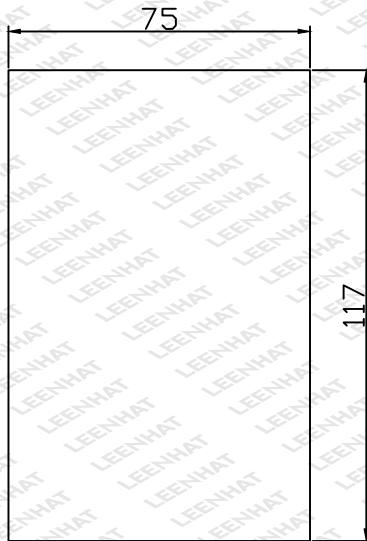
PROJECT NO

PAGE NO

REV

1

03



**DRAWING NOTE :**

ALL DIMENSIONS ARE IN MILLIMETER (mm).

**BILL OF MATERIALS :**

NO.	PARTS NAME	MATERIAL	QTY
1	DOOR	STAINLESS STEEL	1

CLIENT :

JACQSIM

PROJECT TITLE :

SHEET TITLE :

DOOR

DESIGNED BY :

**LEENHAT**

SCALE

DRAWN BY :

SUKAMAL PATRA

DATE

02/03/2021

CHECKED BY :

SHEET SIZE

A4

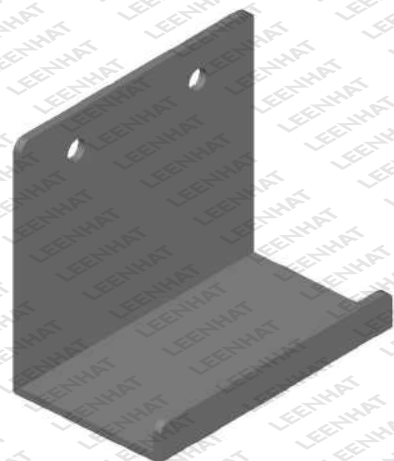
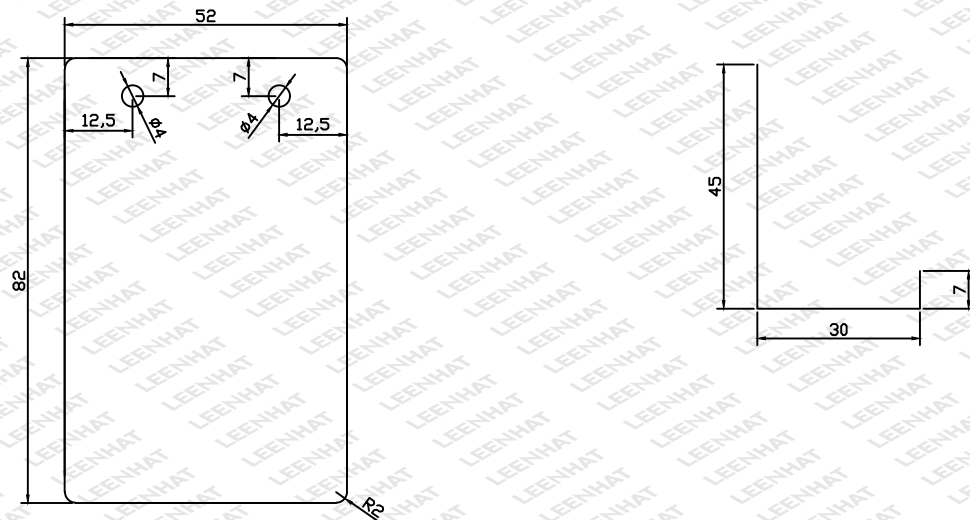
PROJECT NO

PAGE NO

REV

1

04



**DRAWING NOTE :**

ALL DIMENSIONS ARE IN MILLIMETER (mm).

**BILL OF MATERIALS :**

NO.	PARTS NAME	MATERIAL	QTY
1	HOOKS	STAINLESS STEEL	1

CLIENT :

PROJECT TITLE :

JACQSIM

SHEET TITLE :

HOOKS- (M: HAIRLINE STAINLESS STEEL 1.5mm)

DESIGNED BY :

**LEENHAT**

SCALE

DRAWN BY :

SUKAMAL PATRA

DATE

01/03/2021

CHECKED BY :

SHEET SIZE

A4

PROJECT NO

PAGE NO

REV

1

05